



Service Guide

3640-1 3640-B1
3641-1 3641-B1
3643-1 3645-C1
3644-C1

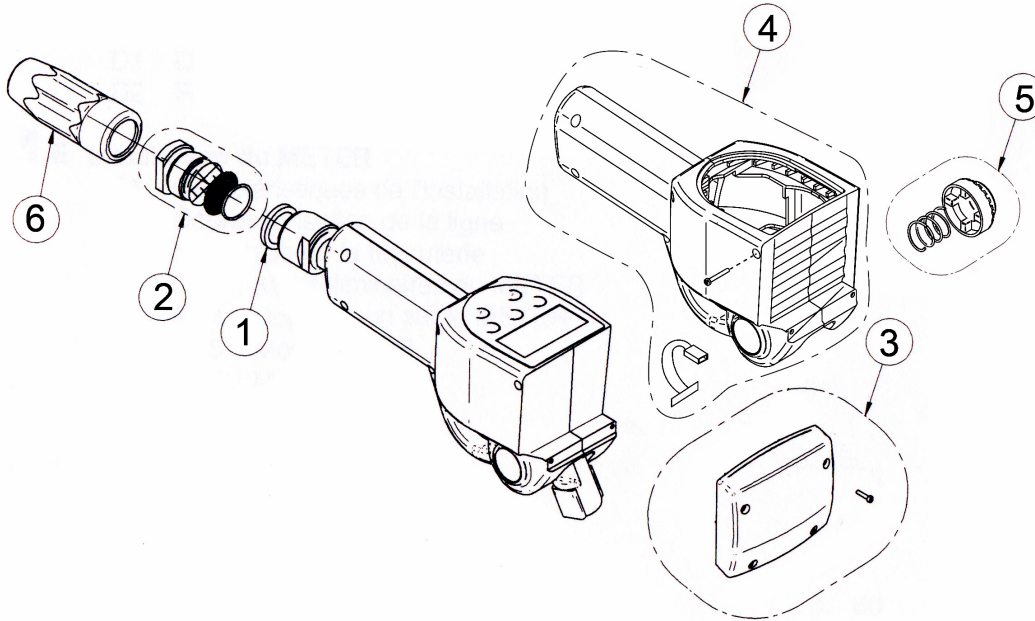
Electronic Preset Meter

Description

The metered control valves in the model series 3640 are designed to meter a variety of fluids.

The valve assembly dispenses motor oils (SAE 5-50), gear oils (SAE 80-240), automatic transmission fluid, antifreeze (ethylene glycol), and hydraulic fluid.

IMPORTANT: Replace the 4 AA batteries when the bAtt signal appears on the LCD. Operating the meter until the batteries are completely depleted will cause it to be inoperable when new batteries are installed.



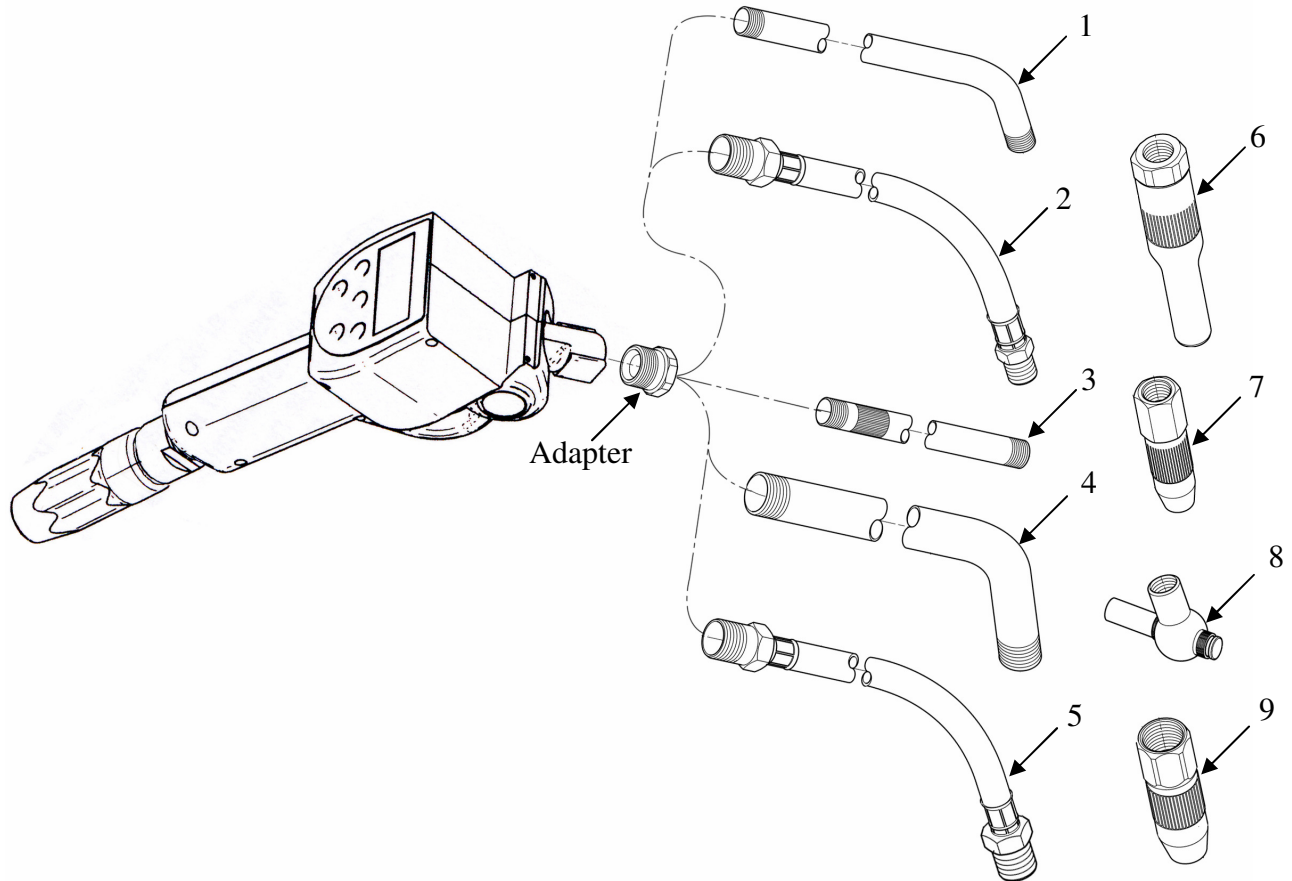
| Item No. | Part No. | Description | Qty. |
|----------|----------|--------------------------|------|
| 1 | 393784-1 | Locking Ring | 1 |
| 2 | 393784-2 | Filter Unit | 1 |
| 3 | 393784-3 | Battery Pack | 1 |
| 4 | 393784-4 | Half Shell Assm. | 1 |
| 5 | 393784-5 | Articulated Joint Button | 1 |
| 6 | 340626-* | Swivel Protector | 1 |

* -1 (Black), -2 (Yellow), -3 (Green), -4 (Red), -5 (Blue)



Service Guide

3640-1 3640-B1
 3641-1 3641-B1
 3643-1 3645-C1
 3644-C1



| Product # | Extension | # | Part # | Non-Drip Tip | # | Part # | Adapter |
|-----------|-----------|---|----------|--------------------------|---|----------|---------|
| 3640-1 | Rigid | 1 | 338702 | Automatic | 6 | 339799 | 40996 |
| 3640-B1 | Rigid | 1 | 338702 | Manual | 7 | 339084 | 40996 |
| 3641-1 | Flexible | 2 | 338709 | Automatic | 6 | 339799 | 52797 |
| 3641-B1 | Flexible | 2 | 338709 | Manual | 7 | 339084 | 52797 |
| 3643-1 | Rigid | 3 | 320421 | Automatic/Manual Lock | 8 | 318400-2 | 40996 |
| 3644-C1 | Rigid | 4 | 339149 | Manual High Volume | 9 | 340084 | 52797 |
| 3645-C1 | Flexible | 5 | 317813-1 | Manual High Volume | 9 | 340084 | 52797 |